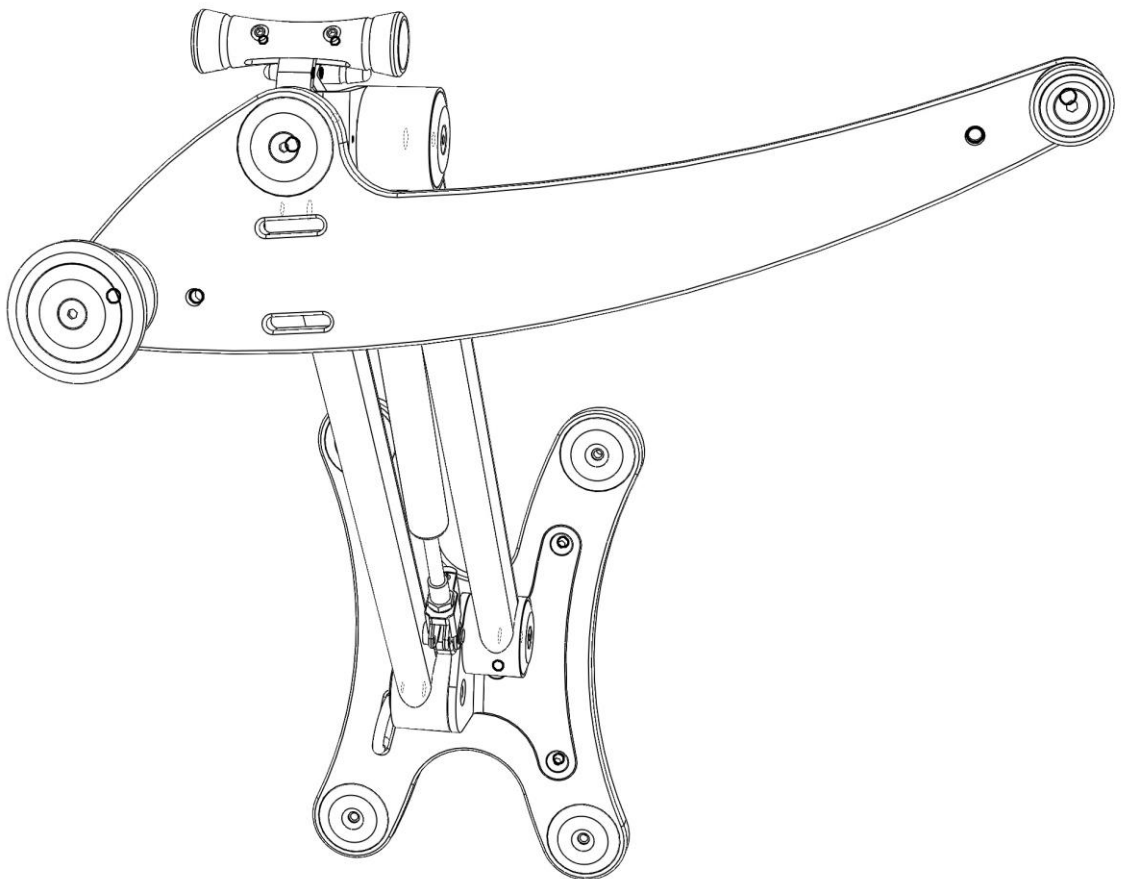




User Manual

Model Number H001



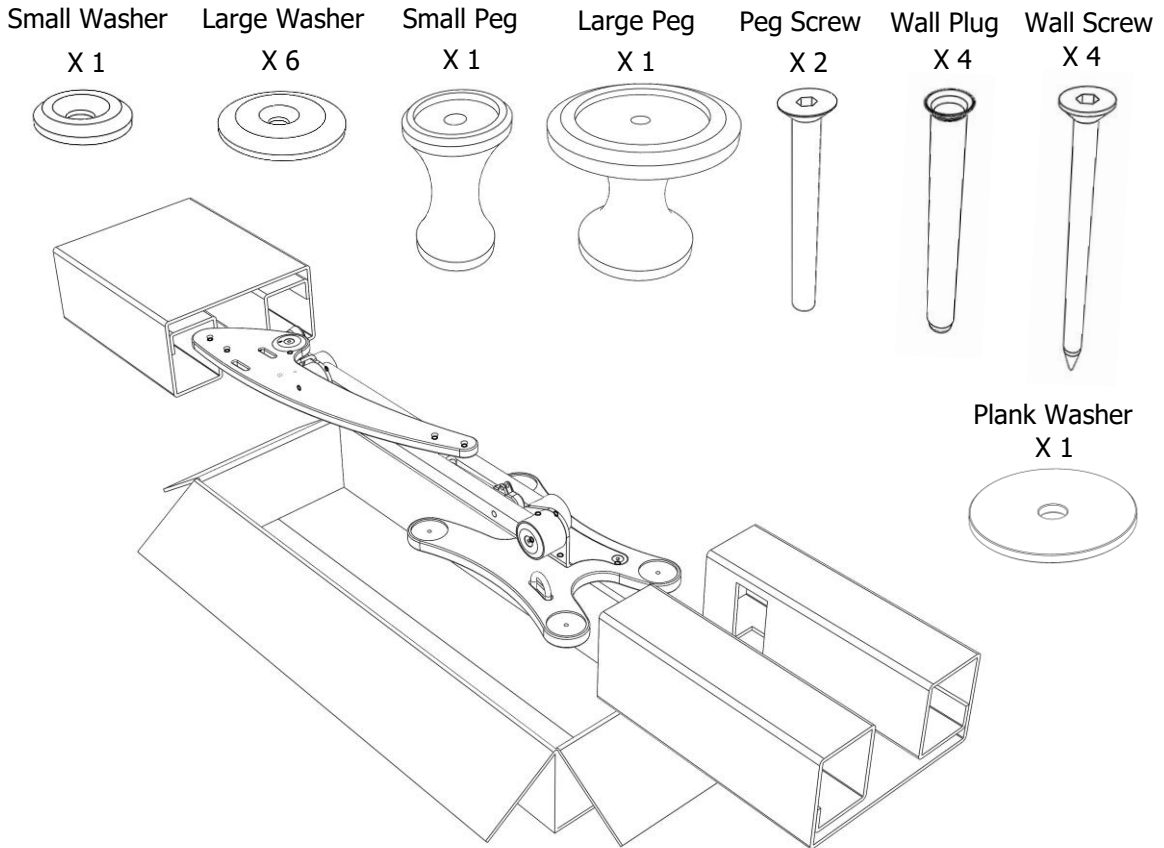


Important

- Prior to installation of this product, the installation instructions should be read and completely understood. The installation instructions must be read to prevent personal injury and property damage. Keep these installation instructions in an easily accessible location for future reference.
- This product is primarily intended for road bikes with a present steering stem and triangular frame if your bike does not have these features it is safest to consult the place of purchase regarding fitment to your specific bike type.
- CAUTION: The maximum load capacity is 15kg. Use with products exceeding the maximum load capacity may cause serious injury.
- The wall structure must be capable of supporting at least five times the maximum load capacity as indicated. If not, the wall must be reinforced.
- Recommended mounting surface: solid-flat concrete/brick. If the mount is to be installed on any surface other than solid concrete or brick, use suitable hardware (not included but commercially available).
- Make sure no water, electrical or natural gas lines are present where the mount is to be installed. Cutting or drilling into water, electrical or natural gas lines could cause personal injury or property damage.
- Proper installation procedure by yourself or a qualified service technician, as outlined in the installation instructions, must be adhered to. Failure to do so could result in serious personal injury.
- This product is intended for indoor installation/use only. Premature product failure or serious personal injury could occur if this product is used outdoors.
- It is recommended that two people perform the installation. Injury and/or damage can result from dropping or mishandling the product.
- If you don't understand these installation instructions, please consult an installation specialist.

Important: If you have difficulty following or understanding these installation instructions, please consult a qualified installation specialist.

Inside the box:



Important: The TILLIT is shipped with the proper installation hardware and parts. Make sure that none of the items are missing or damaged before starting the installation. If there are any missing and/or damaged parts, please stop the installation and contact your place of purchase.

What you will need:

Pencil



Hammer drill



Measuring tape



Masonry drill bit



Spirit level



Hex key 5MM



Hammer



Torx key T40



Wall Mount Installation:

Step 1: Begin by detaching the Wall Mount from the rest of the assembly by unscrewing the three screws shown (*figure 1*)

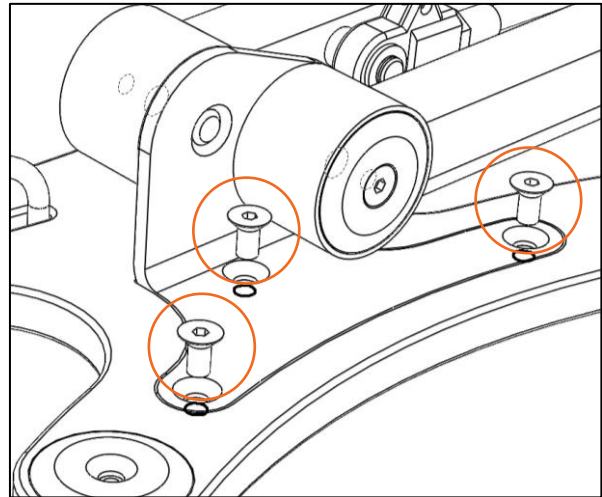
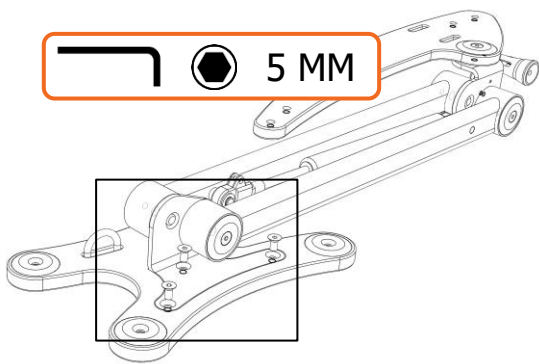


Figure 1

Step 2: Measure a distance of 112cm from the surface your bike is going to be lifted from (usually the floor) mark this distance on the wall.

Align the bottom holes of the Wall Mount to the mark you just made.

Use the Wall Mount as a guide to mark the hole positions using a pencil. Ensure the Wall Mount is level using a spirit level before making the marks. (*figure 2*)

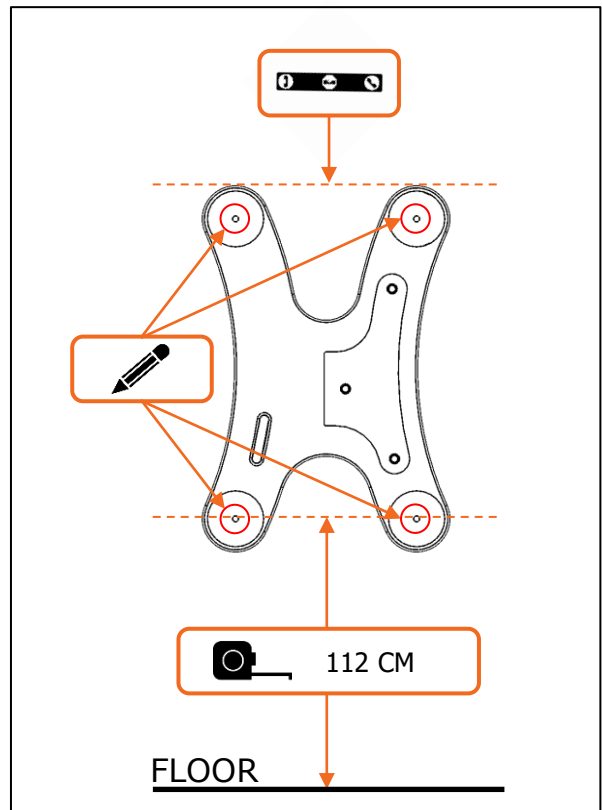
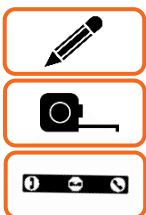


Figure 2

Step 3: Using the marked locations drill 4 holes to a depth of 10cm. Fit the Wall Plugs and tap flush with wall using the hammer. Install the Wall Mount using the Wall Screws and the Large Washers as described on the image (figure 3)

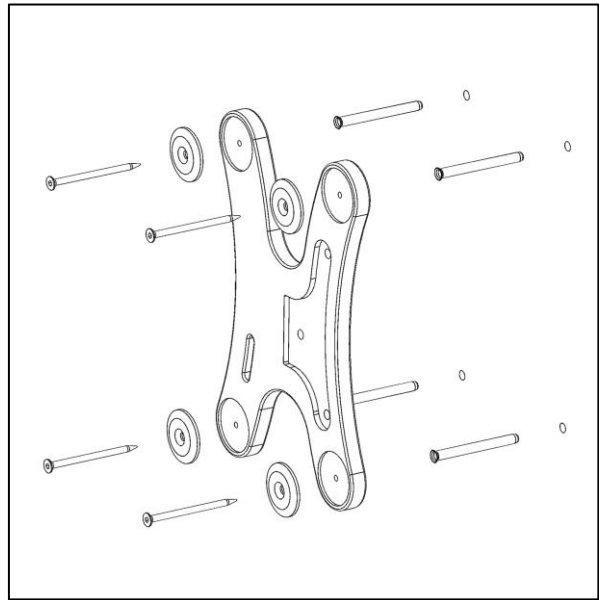
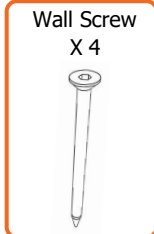
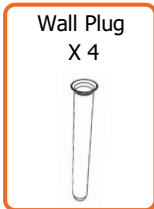


Figure 3

Step 1: Re-attach the Arm Assembly to the Wall Mount using the three screws previously removed (figure 4)

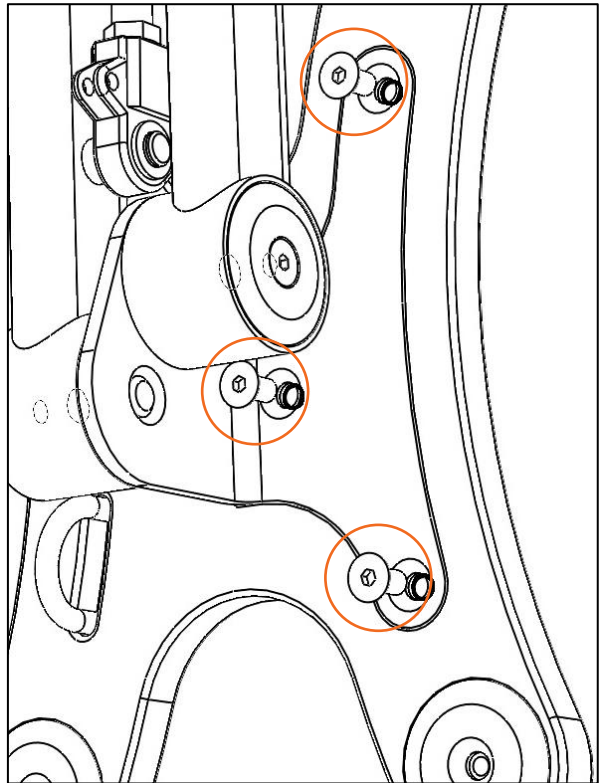
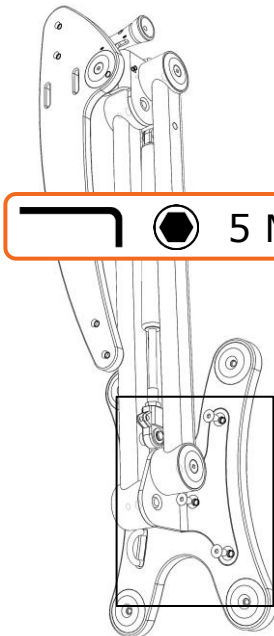


Figure 4

Cradle preparation:

Step 5: Now your TILLIT should be securely fitted to the wall and you should be able to move the arm up and down by pulling the control handle (*figure 4*)

The TILLIT should stop at any position when you release the control handle. If this is not the case check the cable adjustment or contact your place of purchase.

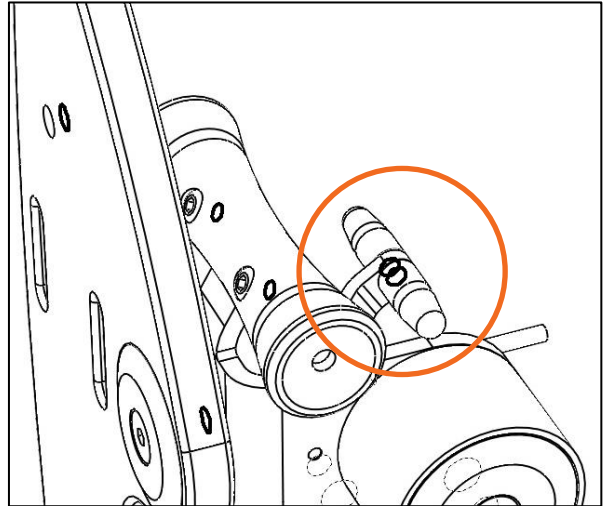
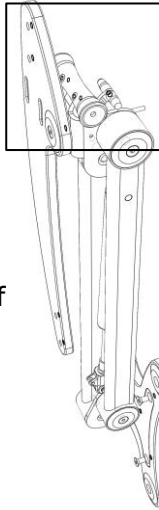


Figure 4

Step 5: With the hex key attach the Cradle. (*figure 5*)

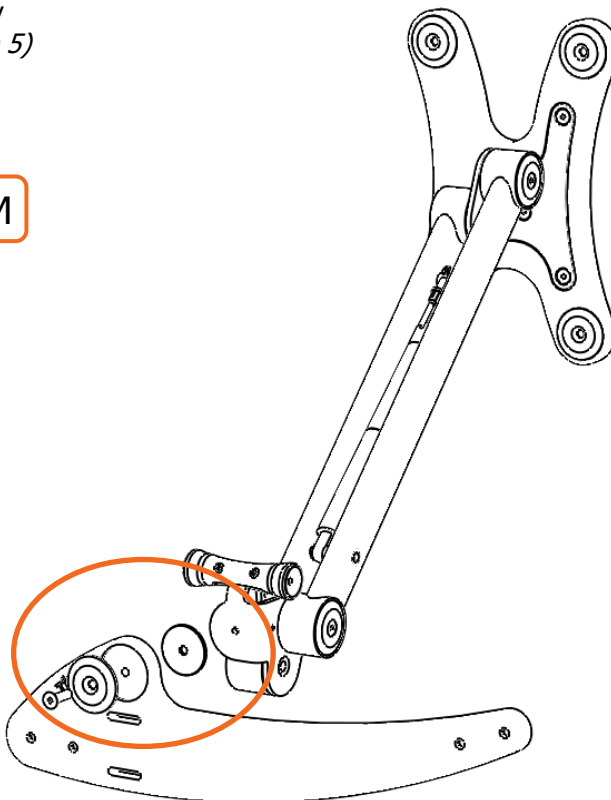


Figure 5

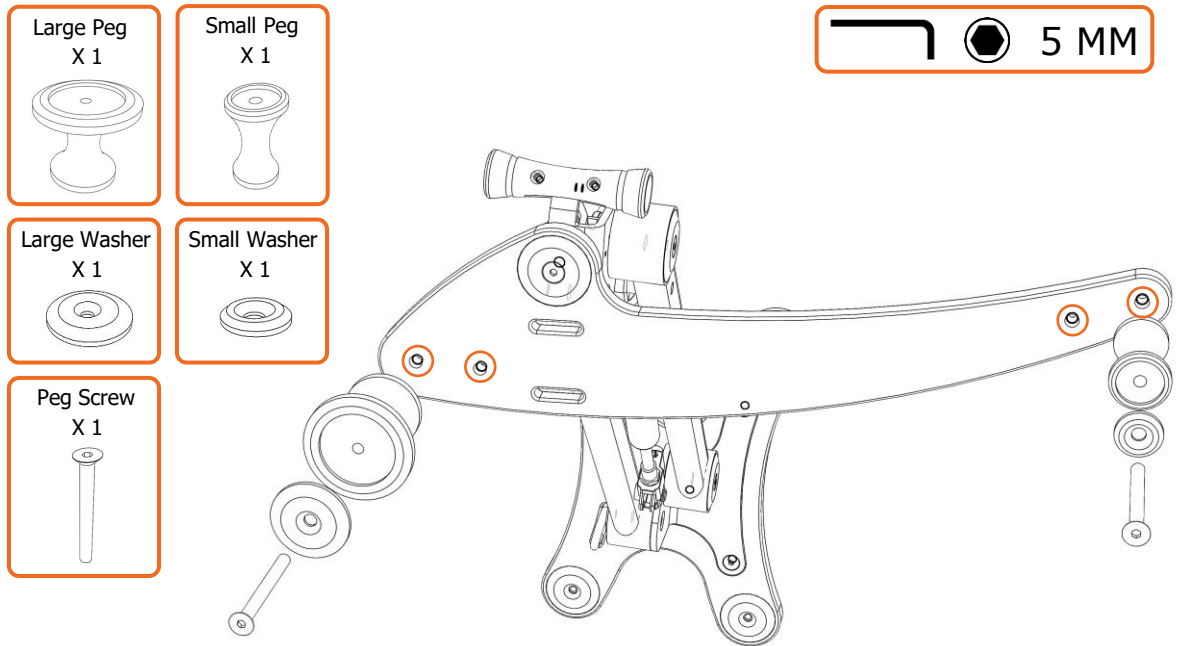


figure 6

Step 5: Using the hex key attach the two Pegs to the Cycle Cradle using the Peg Screws and the two remaining Washers in the order described (*figure 6*)

There are four alternative mounting points available, two for the rear Peg and two for the front Peg. This allows you to adjust the distance between the pegs to match your bikes dimensions (*figure 7*)

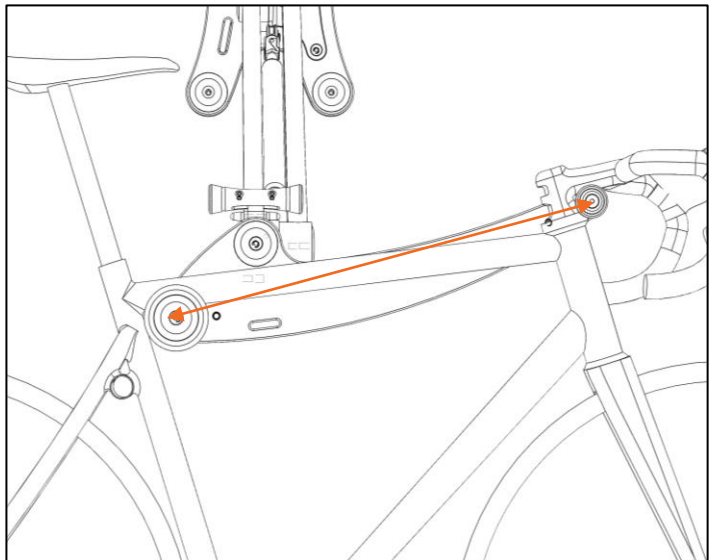


figure 7

Use:

Storage/Display position

It is up to you to stop the Arm movement before the handlebars touch the wall. There is no intermediate stop function. This enables bikes with different width handlebars to be stored as close to the wall as possible.

Remember that the bike is only hanging by its own weight on the pegs, it is possible for it to be dislodged by hard impact.

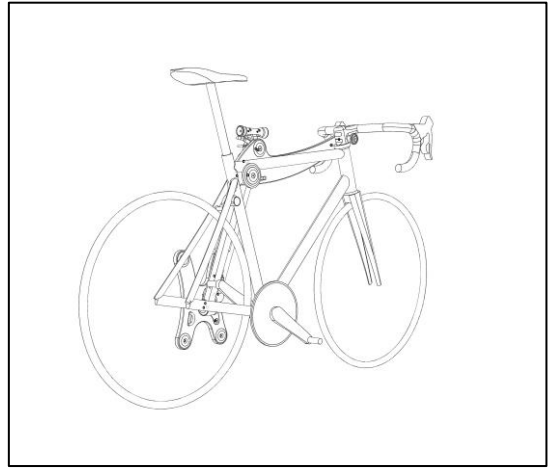


figure 8

Maintenance position

This position is intended for lighter types of maintenance like removing wheels, Lubrication and cleaning. Work that requires high torque or high impact are not to be attempted with this product.



figure 9

Load/Unload Position

It is preferred that the movement of the arm stops the bike a couple of centimetres before the wheels hit the ground. This increases the control of the bike when it is mounted onto the cradle. It is difficult to achieve a perfect distance and it is up to you to experiment with different installation heights.



figure 10

Maintenance

- Check the mounting screws every two months for tightness.
- Adjust the cable tension if the TILLIT does not move freely when handle is pulled or if the cable feels loose (*figure 11*)
- A drop of oil on the bearing surfaces once a year will ensure smooth operation.
- If you feel uncertain about an issue don't hesitate to contact us directly, contact details are provided at the end of this manual.

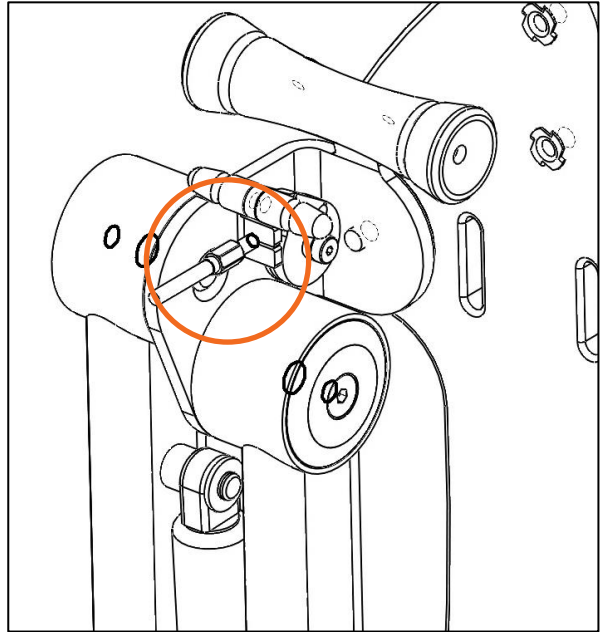


Figure 11

If you for any reason wish to speak with us don't hesitate to contact us:

HEED Studio Ltd
Unit 1
52 Kingsgate Road
Kingston
KT2 5AA
United Kingdom

+44 (0)20 8127 7230

Enjoy your TILLIT